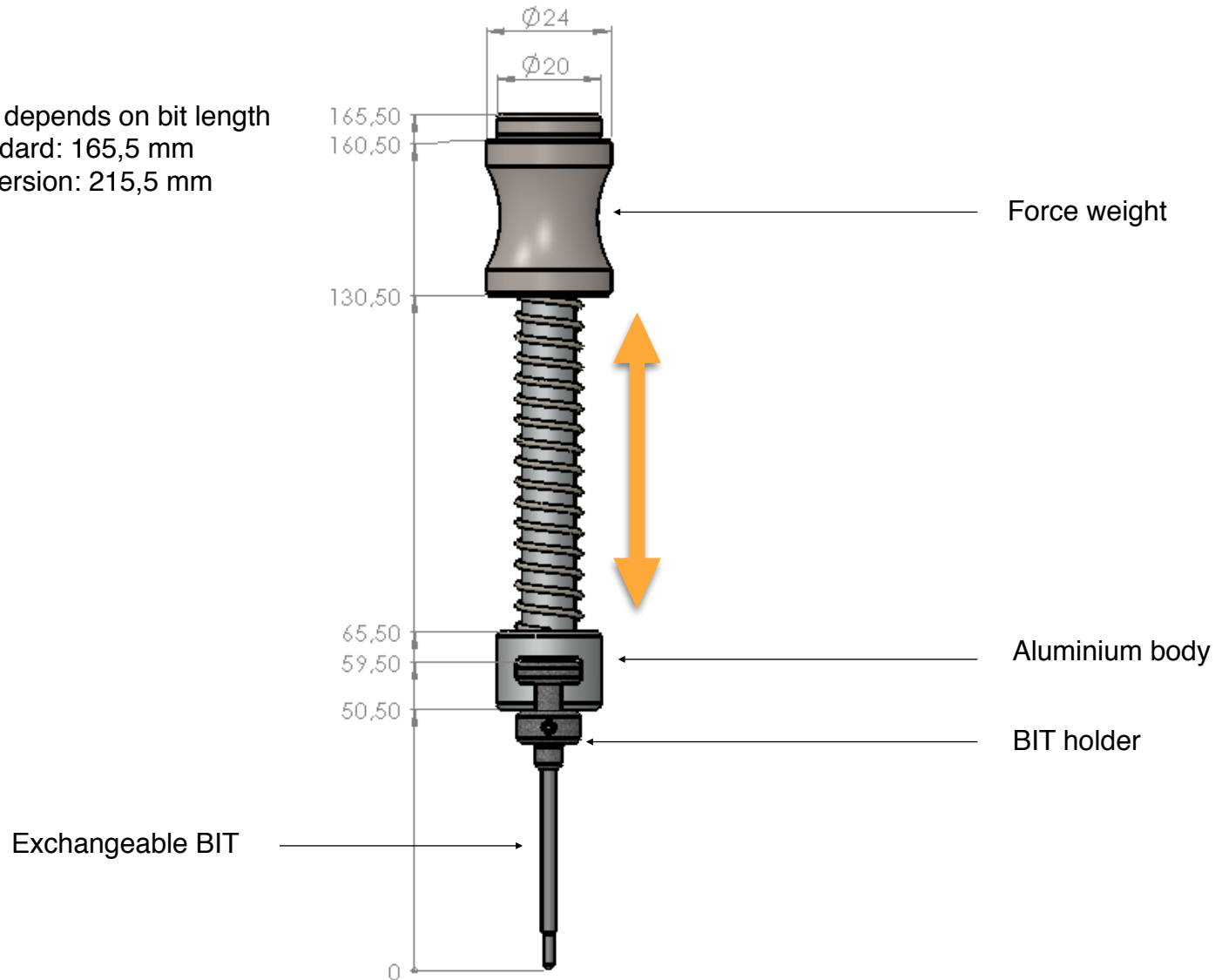




*MRET - Mechanical Receptacle*  
*Extraction Tools Edition 1*

# Mechanical Receptacle Extraction Tool (IGL-TL-MRET)

OAL depends on bit length  
Standard: 165,5 mm  
"L" version: 215,5 mm



Standard BiT types

Order Nr.	BIT Diameter (mm)	BIT Length (mm)	Fixtest	Ingun	Feinmetall	PTR
BIT-PRET-095	2.0	50	S 15	KS 050 / KS 080 / KS 081 / KS 079 / KS 087	H050 / H730	H1008 / H1007
BIT-PRET-095L	2.0	100				
BIT-PRET-132	2.0	50	S 75 / S 18 / S 66	KS 075 / KS 101 / KS 001 / KS 181	H561 / H075 / H701 / H175 / H176 / H863	H1010 / H1011 / H1012 / H3035
BIT-PRET-132L	2.0	100				
BIT-PRET-167	2.5	50	S 100 / S 21 / S 29 / S 70 / S 211	KS 100 / KS 002 / KS 725 / KS 899	H502 / H100 / H610 / H731	H1015 / H1025 / H1064
BIT-PRET-167L	2.5	100				
BIT-PRET-200	2.5	50	S 30 / S 71 / S 73	KS 112 / KS 204 / KS 215 / KS 427 / KS 212 / KS 712 / KS 746	H772 / H732 / H722 / H727 / H879 / H875 / H756 / H752 / HVF100	H2021 / H3020 / H1021 / H3026 / H3023 / H3024 / H3028
BIT-PRET-200L	2.5	100				
BIT-PRET-300	3.0	50	S 50 / S 150 / S51 / S 72 / S 265	KS 113 / KS 913 / KS 713 / KS 415 / KS 313 / KS 465 / KS 747	H774 / H713 / H733 / H723 / H737 / H773 / H762 / H885 / H884 / H880 / H881 / H887 / H760	H2050 / H2060 / H1060 / H1050 / H1053 / H3010 / H3011
BIT-PRET-300L	3.0	100				

Unique bits are available on request

Contact us:

*Igla Trade Kft.*  
*Ady Endre u. 48*  
*H-1174 Budapest*  
*HUNGARY*  
[info@iglatrade.com](mailto:info@iglatrade.com)

*Igla Trade Sp. z o.o.*  
*ul. Pilotów 61/3*  
*31-462 Kraków*  
*POLAND*  
[infopl@iglatrade.com](mailto:infopl@iglatrade.com)

*S.C. Igla Trade S.R.L.*  
*str. Cuza Vona nr. 85, etaj 2 cam 204*  
*410097 Oradea*  
*ROMANIA*  
[inforo@iglatrade.com](mailto:inforo@iglatrade.com)

... visit us at [www.iglatrade.com](http://www.iglatrade.com)